

Features

- Elongated bowl offers added room and comfort.
- Siphon jet.
- 1.28 or 1.6 gpf (4.8 or 6.0 lpf) depending on flushometer specified.
- 10-1/2" x 7-1/2" (267 x 190 mm) water surface.
- Minimal design detail and partially concealed skirt for ease of cleaning.
- Easy-to-clean low-profile bolt caps.
- Pair with KOHLER® flushometers and seats for a complete solution.
- Supports static load of 2,500 lbs.
- Antimicrobial finish inhibits the growth of mold-, mildew-, stain-, and odor-causing bacteria on the fixture surface. This product does not protect users against bacteria, viruses, or other disease organisms. Always clean and wash this product thoroughly before and after each use.
- 1½" (38 mm) top spud.

Material

- Vitreous china.

Technology

- Wall-to-floor toilet conversion solution, perfect for healthcare or any other facility interested in addressing load concerns.
- Eliminates need for a gut renovation to remove in-wall carrier and outlet and install new floor outlet.
- Adjustability allows toilet to attach to outlet of the horizontal branch, even if positioned next to the vertical stack.
- Engineered for strong flush performance in buildings with lower water pressure or flow.
- Design eliminates gas leaks, splashing and paper shredding.

Installation

- Floor-mount.
- Included brackets attach to wall carrier and secure bowl to both wall and floor.
- Designed to cover existing footprint of any wall bowl on the market.
- Adjustable connector enables replacement of wall-mount bowls with rim heights from 15" to 18".



ADA

CSA B651

OBC

Codes/Standards

ASME A112.19.2/CSA B45.1
DOE - Energy Policy Act 1992
EPA WaterSense®
California Energy Commission (CEC)
ADA
ICC/ANSI A117.1
CSA B651
OBC




KOHLER® One-Year Limited Warranty

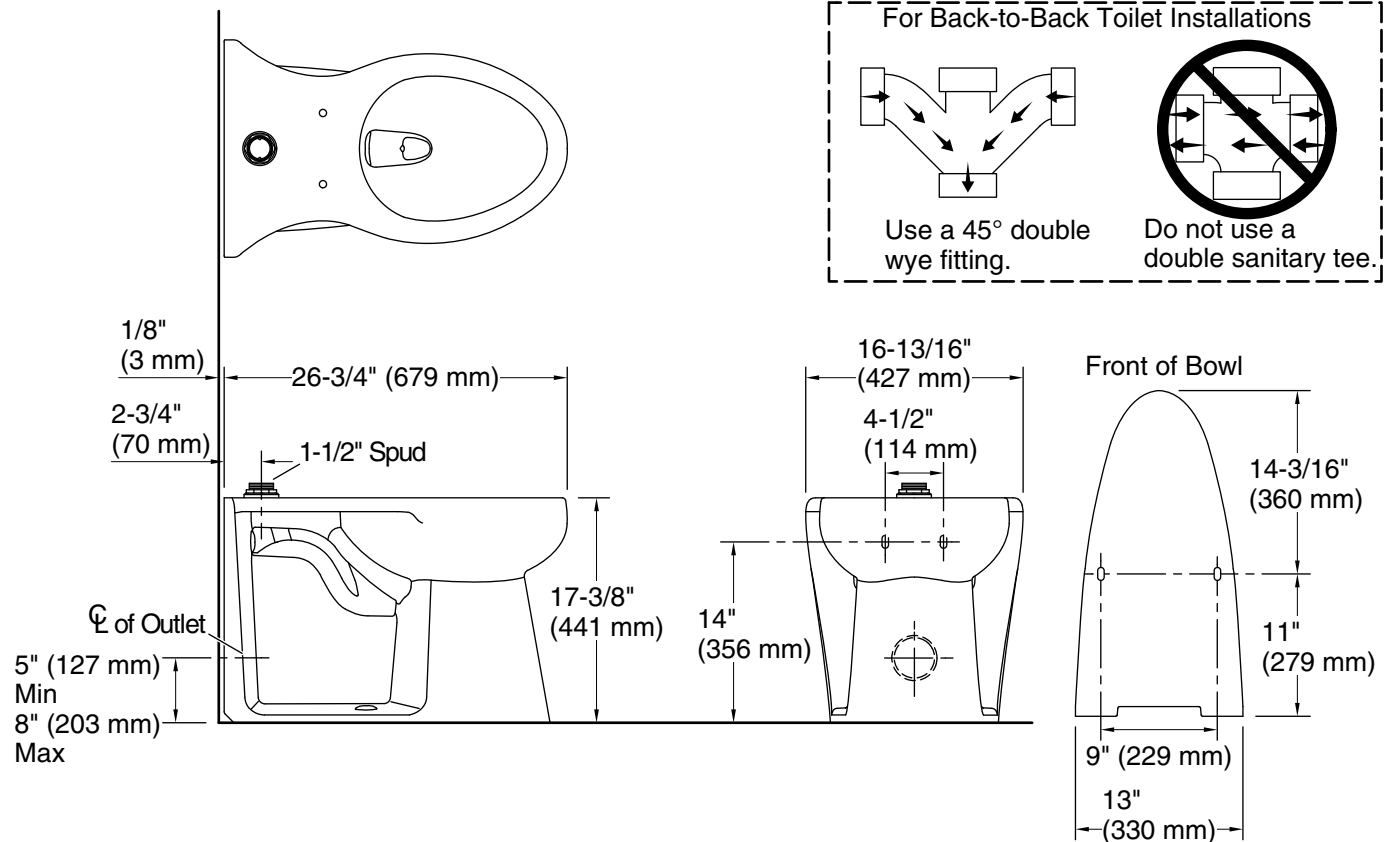
See website for detailed warranty information.

Available Colors/Finishes

Color tiles intended for reference only.

Color	Code	Description
-------	------	-------------

	0	White
	96	Biscuit
	47	Almond



Technical Information

All product dimensions are nominal.

Toilet type:	Flushometer, Floor-mount
Waste Outlet:	Wall
Bowl shape:	Elongated
Flush type:	Flushometer valve siphon
Spud size:	1 1/2, Inlet, Top
Trap passageway:	2-1/8" (54 mm)
Water Consumption	
Full:	1.6 gpf (6 lpf)
Reduced:	1.28 gpf (4.8 lpf)
Water surface size:	10-1/2" x 7-1/2" (267 mm x 191 mm)
Rim to water surface:	5-3/4" (146 mm)
Rough-in:	5" (127 mm)
Seat-mounting holes:	5-1/2" (140 mm)

Fixture Supply Requirements

Min static pressure:	35 psi (241.3 kPa)
Max static pressure:	80 psi (551.6 kPa)
Min flowing	25 psi (172.4 kPa)

Notes

Install this product according to the installation instructions.

For back-to-back toilet installations: Use only a 45° double wye fitting.

This product is designed for a floor-mount installation with a wall-outlet.

ADA, OBC, CSA B651 compliant when installed to the specific requirements of these regulations.

Plumbing codes may require elongated toilets and elongated, open-front seats in public bathrooms.

Accessibility standards may require controls to be located on the open side of the toilet.